



Product Specification Sheet

Product name: Easy Rider Speed Bump Kit

High quality Canadian manufactured speed bump made from 100% recycled tyres, rated at 8km/h. Comes with 180mm coachscrew sets for installing in concrete or 360mm rebar spikes for installing in tarmac. Flexible rubber material means that the bump will adhere to many kinds of road surfaces. Channelled bottom allows for the covering of wires, cables or pipes while the bump is in use. Can be installed for temporary or permanent use – can be moved with ease when needed. Also fitted with small cat's eye reflectors for excellent visibility.

Product code

Model

[756500](#)

[Easy Rider 1200mm Speed Bump Section](#)



Manufacturer / Brand	GNR
Warranty	3 Year manufacturer's warranty 1 Year manufacturer's warranty on yellow markings under normal usage
Material	100% Recycled Rubber Tyres
Components	1800mm Easy Rider Section, 1200mm Easy Rider Section, 250mm Easy Rider End Caps, 180mm coachscrew sets for concrete/360mm rebar spikes for tarmac
Dimensions	1800mm section: 1800 (L) x 305 (W) x 57mm (H) 1200mm section: 1200 (L) x 305 (W) x 57mm (H) End Cap: 250 (L) x 300 (W) x 56mm (H)
Weight	1800mm section: 23.1kg

Pittman Traffic & Safety Equipment

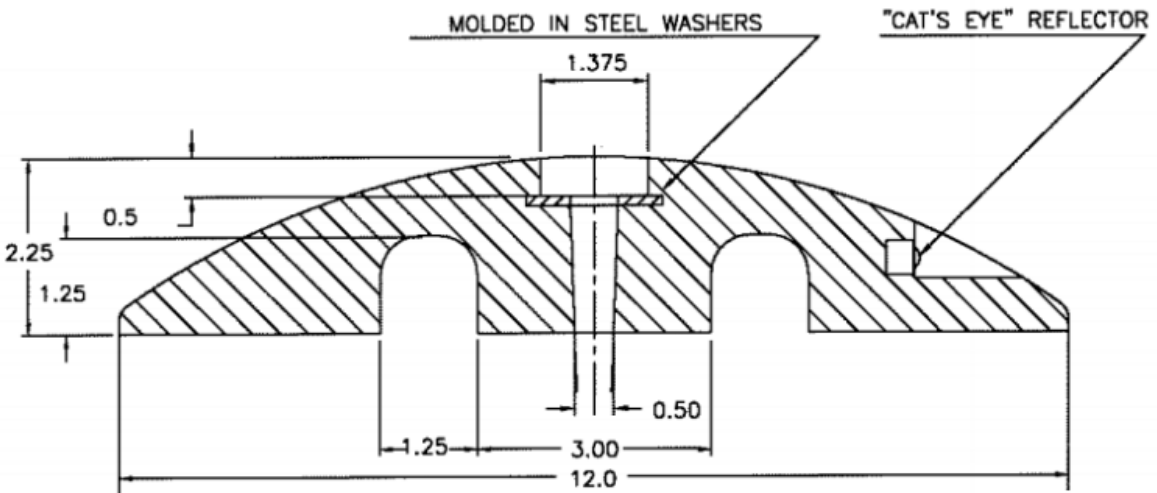
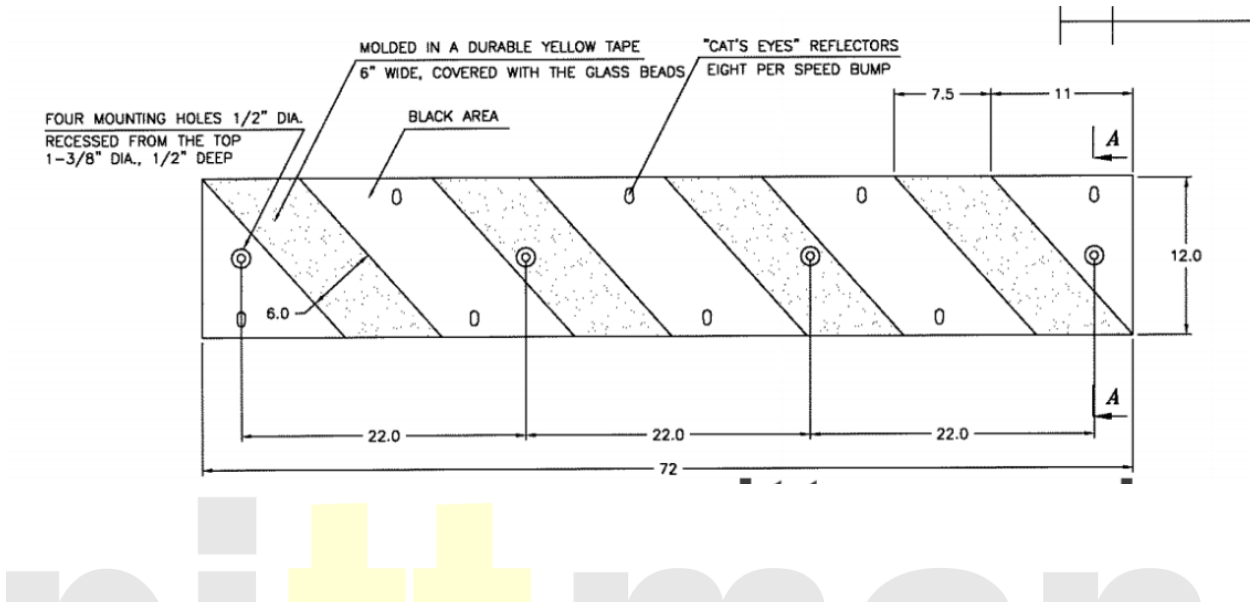
Unit 18, 336 Kennington Lane, London, SE11 5HY

Phone: 020 3773 5397 Email: sales@pittmantraffic.co.uk

Web: www.pittmantraffic.co.uk



	1200mm section: 14.5kg End Cap: 2.5kg
Fixing	Concrete: 180mm coachscrew and rawplug set Tarmac: 360mm rebar spike



Pittman Traffic & Safety Equipment

Unit 18, 336 Kennington Lane, London, SE11 5HY

Phone: 020 3773 5397 Email: sales@pittmantraffic.co.uk

Web: www.pittmantraffic.co.uk